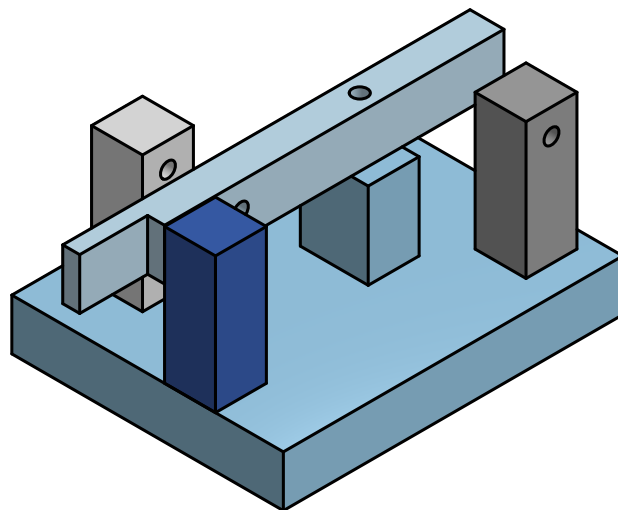


2

1

B

B



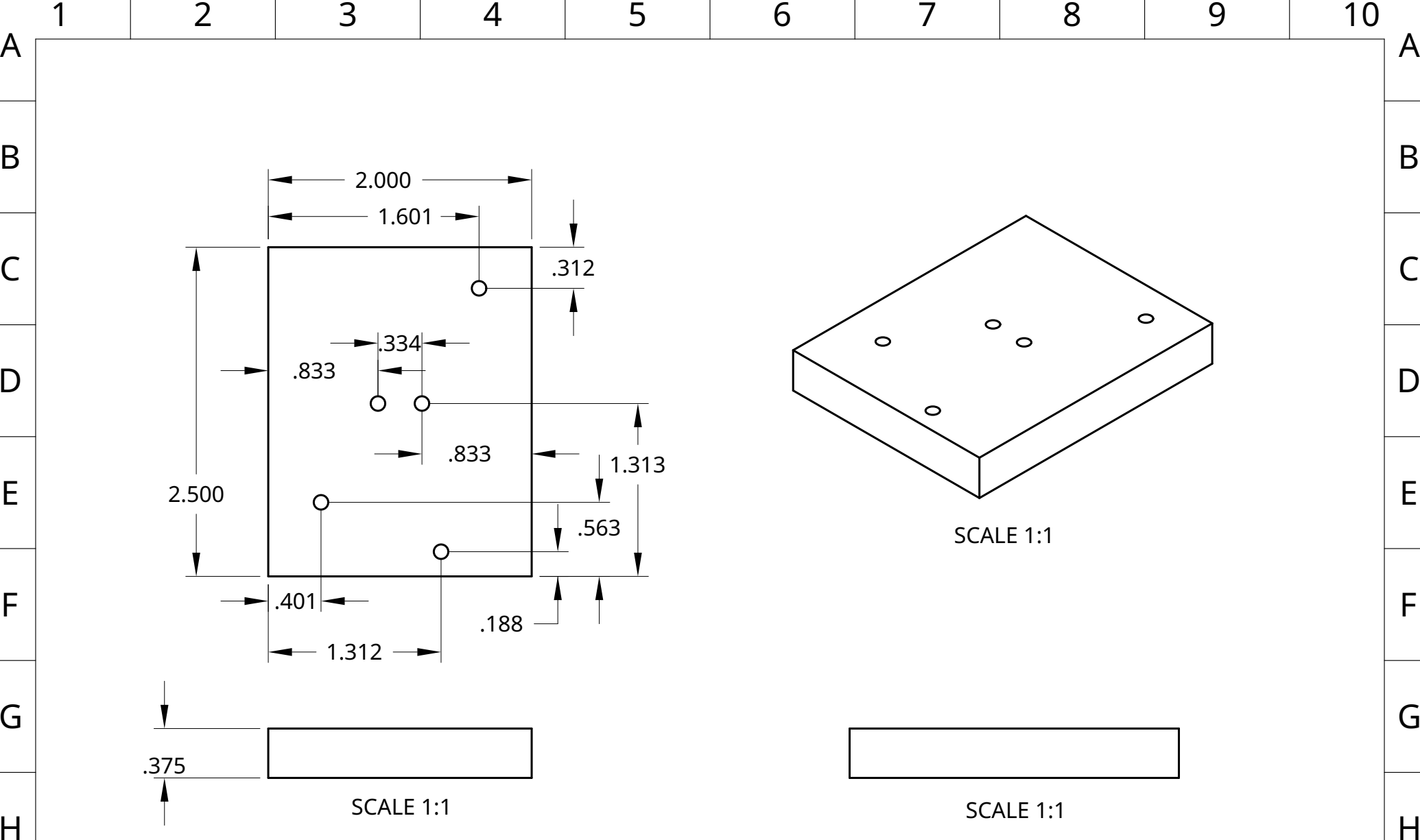
A

A

UNLESS OTHERWISE SPECIFIED, DIMENSIONS ARE IN INCHES .XX = ±.0- ANGULAR = ± ° .XXX = ±.00- FRACTIONAL = ± .XXXX = ±.000- SURFACE FINISH		NAME	DATE			
	DRAWN	BILL TODD	03/04/2020	TITLE		
	CHECKED					
	APPROVED					
DO NOT SCALE DRAWING				Vertical Straight Key Overall		
BREAK ALL SHARP EDGES AND REMOVE BURRS						
THIRD ANGLE PROJECTION	MATERIAL	FINISH		SIZE	DWG NO.	REV.
				A		2
				SCALE	WEIGHT	SHEET
				1:1		1 of 5

2

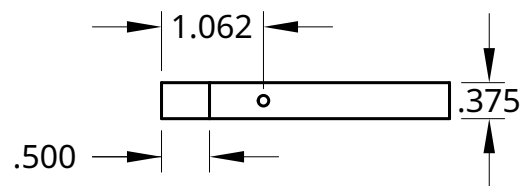
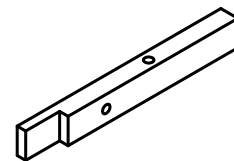
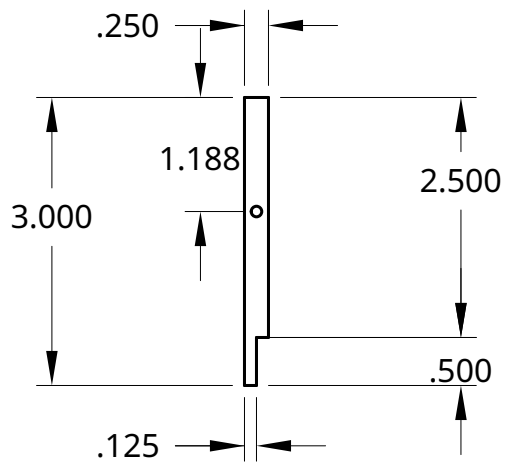
1



UNLESS OTHERWISE SPECIFIED, DIMENSIONS ARE IN INCHES .XX = ±.0- .XXX = ±.00- .XXXX = ±.000- ANGULAR = ± ° FRACTIONAL = ±	DRAWN	NAME BILL TODD	DATE 03/04/2020	W2EB Design	
	DO NOT SCALE DRAWING			TITLE BASE	
	BREAK ALL SHARP EDGES AND REMOVE BURRS			SIZE A	REV.
		MATERIAL	FINISH	SCALE 1:2	SHEET 1 of 1

2

1



UNLESS OTHERWISE SPECIFIED, DIMENSIONS ARE IN INCHES .XX = ±.0- .XXX = ±.00- .XXXX = ±.000- SURFACE FINISH		NAME	DATE		
	DRAWN	BILL TODD	03/04/2020	TITLE	
	CHECKED				
	APPROVED				
	DO NOT SCALE DRAWING				
BREAK ALL SHARP EDGES AND REMOVE BURRS					
THIRD ANGLE PROJECTION	MATERIAL	FINISH		SIZE	DWG NO.
				A	
				SCALE	1:2
				WEIGHT	
				SHEET	1 of 1

2

1

B

B

A

A

1 2 3 4 5 6 7 8 9 10

A

B

C

D

E

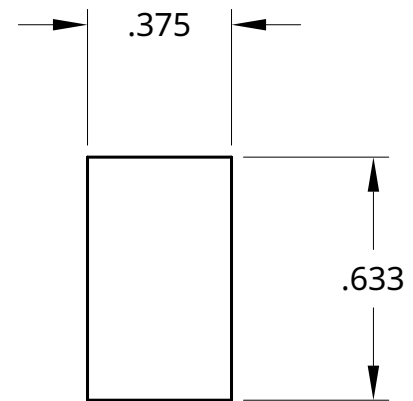
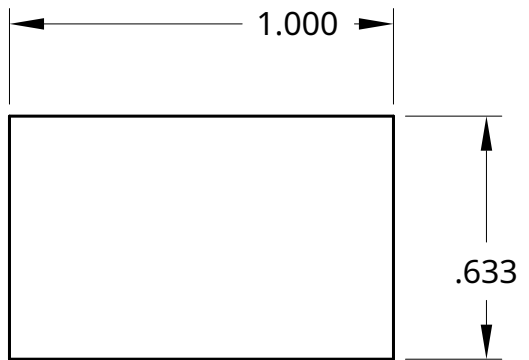
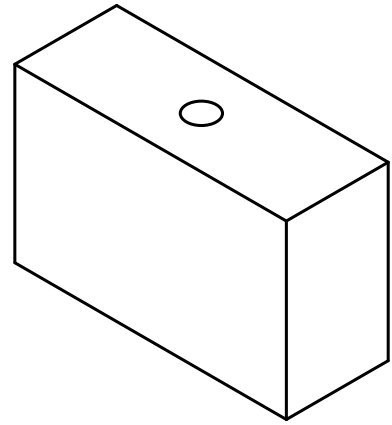
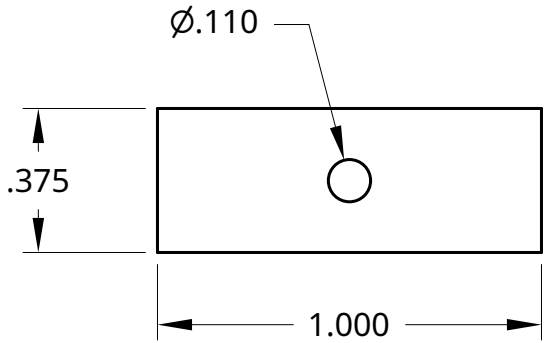
F

G

H

I

J



UNLESS OTHERWISE SPECIFIED, DIMENSIONS ARE IN INCHES .XX = ±.0- .XXX = ±.00- .XXXX = ±.000- ANGULAR = ± ° FRACTIONAL = ±		NAME	DATE	W2EB Design	
	DRAWN	BILL TODD	03/17/2020	TITLE	
	DO NOT SCALE DRAWING			ARM SUPPORT	
	BREAK ALL SHARP EDGES AND REMOVE BURRS			REV.	
	MATERIAL	FINISH		SIZE	A
				SCALE	2:1
				SHEET	1 of 1

1 2 3 4 5 6 7 8 9 10

1 2 3 4 5 6 7 8 9 10

A

B

C

D

E

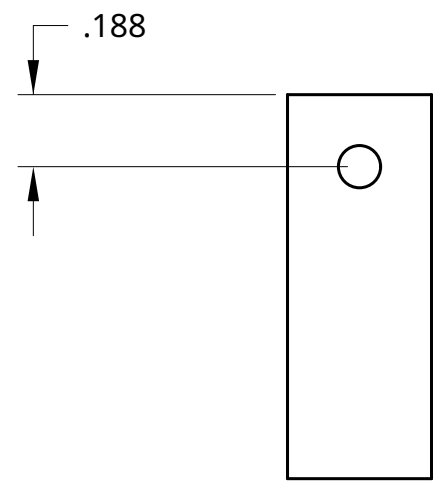
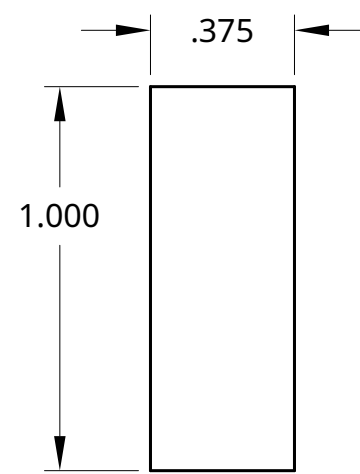
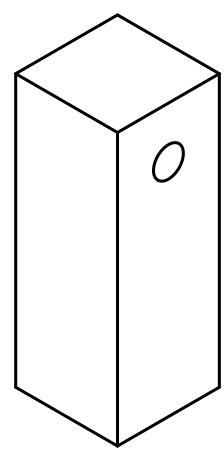
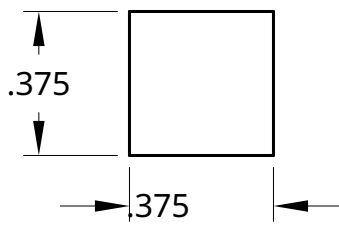
F

G

H

I

J



UNLESS OTHERWISE SPECIFIED, DIMENSIONS ARE IN INCHES .XX = ±.0- .XXX = ±.00- .XXXX = ±.000- ANGULAR = ± ° FRACTIONAL = ±		NAME	DATE	W2EB Design	
	DRAWN	BILL TODD	03/17/2020	TITLE	
	DO NOT SCALE DRAWING			CONTACT BLOCK	
	BREAK ALL SHARP EDGES AND REMOVE BURRS				
	MATERIAL	FINISH		SIZE	REV.
				A	
				SCALE	1 of 1
				2:1	

1 2 3 4 5 6 7 8 9 10

