

6

5

4

3

2

1

D

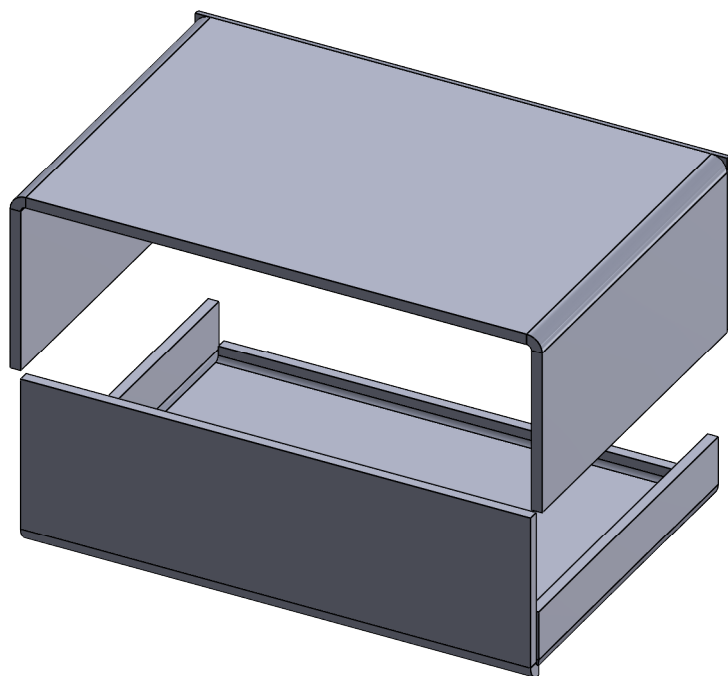
D

C

C

B

B



A

A

PROPRIETARY AND CONFIDENTIAL
 THE INFORMATION CONTAINED IN THIS DRAWING IS THE SOLE PROPERTY OF <INSERT COMPANY NAME HERE>. ANY REPRODUCTION IN PART OR AS A WHOLE WITHOUT THE WRITTEN PERMISSION OF <INSERT COMPANY NAME HERE> IS PROHIBITED.

		UNLESS OTHERWISE SPECIFIED:		NAME	DATE			
		DIMENSIONS ARE IN INCHES				TITLE:		
		TOLERANCES:		DRAWN				
		FRACTIONAL ±		CHECKED				
		ANGULAR: MACH ± BEND ±		ENG APPR.				
		TWO PLACE DECIMAL ±		MFG APPR.				
		THREE PLACE DECIMAL ±		Q.A.				
		INTERPRET GEOMETRIC TOLERANCING PER:		COMMENTS:				
		MATERIAL				SIZE	DWG. NO.	REV
	NEXT ASSY	USED ON	FINISH			A	Mic Preamp Chassis, 20170215	
	APPLICATION		DO NOT SCALE DRAWING			SCALE: 1:1	WEIGHT:	SHEET 1 OF 1

6

5

4

3

2

1